

Kamado Joe Classic II™ 18"

Американские грили Москва

 **KAMADOJOE®**
Ceramic Grills

americangrill.ru





Алюминиевый колпак с вент заслонкой



Пружинный механизм разгрузки



Замок крышки



Боковые столики с крючками



Кочерга и съемник решетки



Колеса, 2 со стопорами

INTERNAL COMPONENTS

Divide & Conquer®
Двухуровневая система
установки решетки и камень
жаротсекатель



5-ти сегментная топка



Выдвижной золоборник



Пластиковая ручка



Жаростойкий уплотнитель



Большой термометр

Specifications

Dimensions	Cooking Surface	Weight	Heat Range
46.5 in W x 48 in H x 28 in D	256 sq in (407 sq in with rack extension)	250 lbs	225°F–750°F+
118.1 cm W x 121.9 cm H x 71.1 cm D	1,646 sq cm (2,619 sq cm with rack extension)	113 kg	82°C–399°C

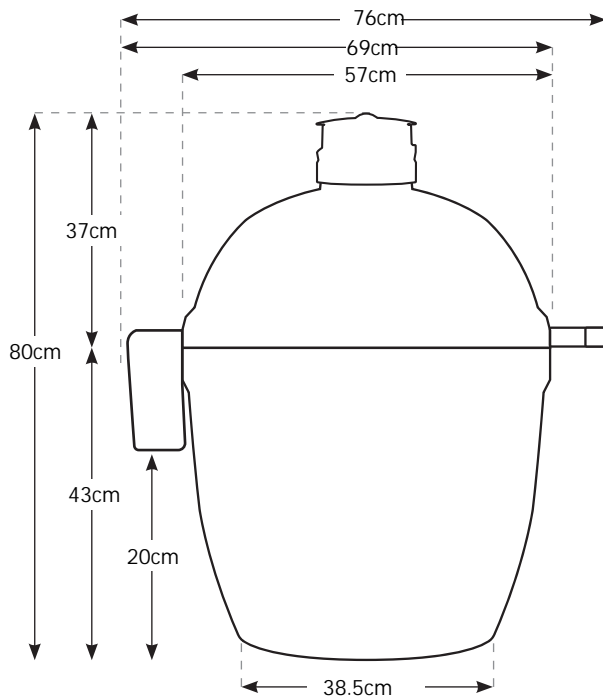
Materials

Base/Dome	High Fire Heat-Resistant Ceramics	Latch	Aluminum
Glaze	Heat-Resistant Ceramic Coating	Handles/Shelves	HDPE (High-Density Polyethylene)
Top Vent	Cast Aluminum	Hinge	Full Counter Balanced Steel
Grill Grates	304 Stainless Steel	Bottom Vent	304 Stainless Steel
FireBox	High-Fire Heat-Resistant Ceramics	Cart	Powder-Coated Cast Iron
Gasket	Wire Mesh Fiberglass	FireBox Ring	304 Stainless Steel

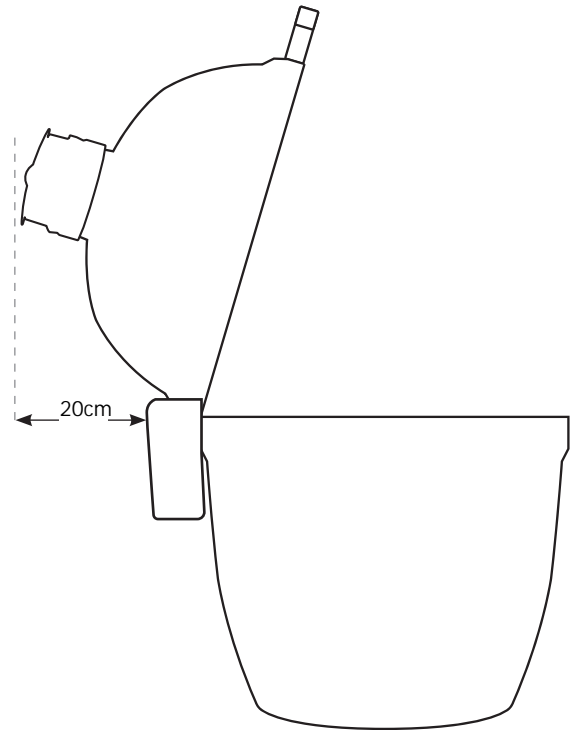
IMPORTANT DIMENSION NOTES

Please use this as a general guide for installing a Classic II ceramic grill in a built-in outdoor kitchen or grill table. We highly recommend that the actual grill being installed be measured. Drawing is not to scale.

SIDE VIEW



OPEN CLEARANCE



TOP VIEW

