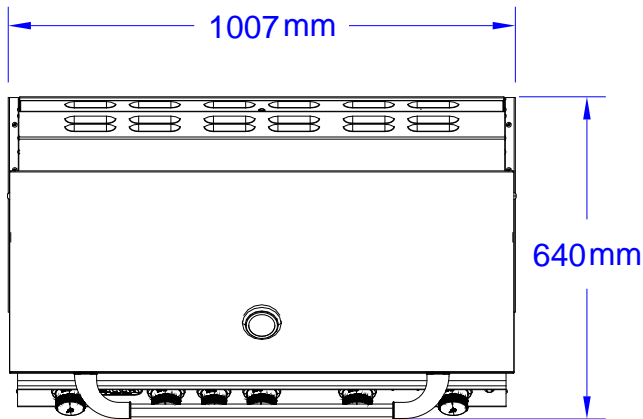
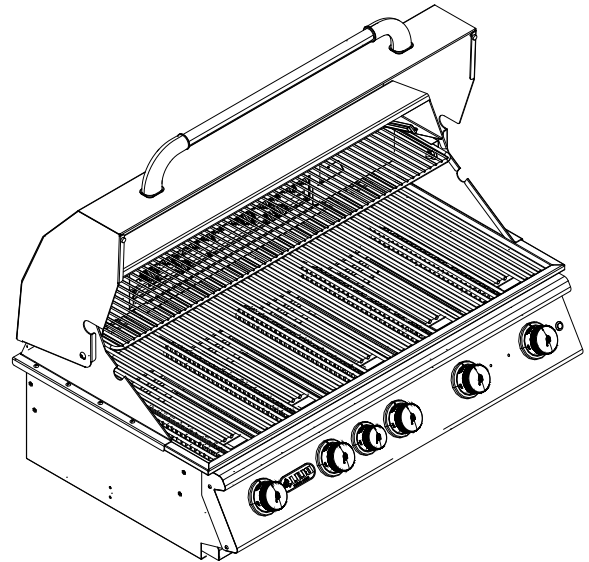




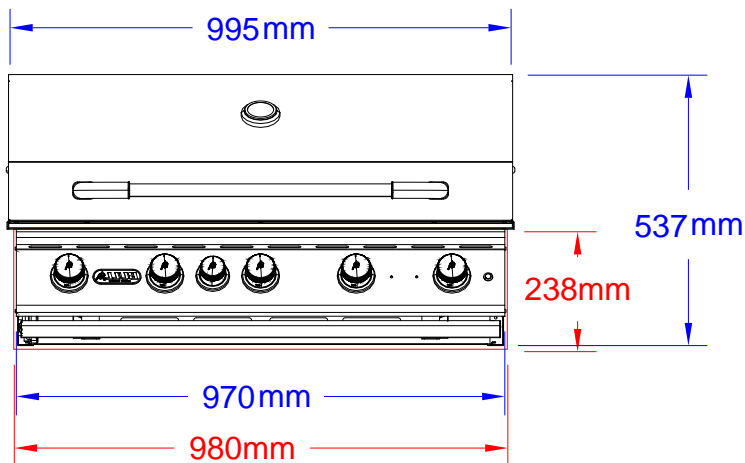
ITEMS: #57568CE LP, #57569CE NG
 BRAHMA GRILL



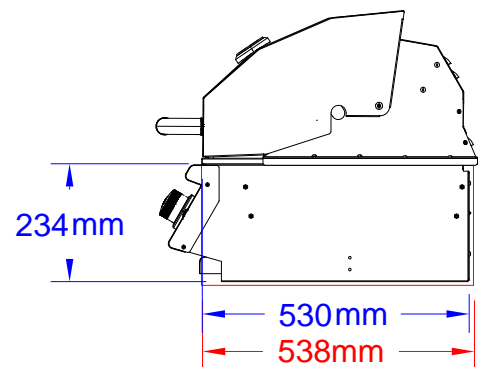
Top View



Isometric View



Front View



Side View

SPEC SHEET NOTES:

1. CUTOUT DIMENSIONS 980L X 538D X 238H
2. SCALE: 1 : 15 (Printer page scaling none, do not use fit to printable area option)
3. REVISION:10/2018